



Cleanroom



Medical



ESD Area



Lab



Sit-Stand

SIGMAFORCE

INDUSTRIAL SEATING

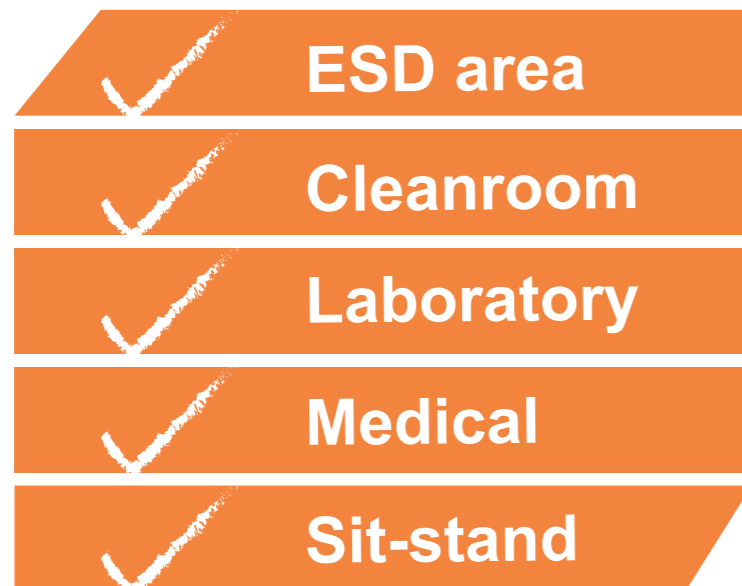
Shanghai Sigmaforce Industrial Co.,Ltd.
CHINA • SHANGHAI



About Sigmaforce Industrial Seating

Sigmaforce Industrial is the leading manufacture of top-quality industrial chairs in China. It is committed to providing safe, ergonomic, high-quality seating solutions and specialized in design, production & sales of industrial chairs and other professional chairs. The company has developed & designed hundreds of different types chairs to fit the different needs of industrial, medical, laboratory and other industry series, which can meet various needs of every consumer. Products are including **ESD chairs, Cleanroom chairs, Lab chairs, Medical chairs, and many kinds of industrial chairs.**

We understand the importance that proper seating has on your health and your environment. Our main goal is to help you provide your employees with productive, healthy and pleasant seating at every workstation.



Sigmaforce seating design

New technical developments constantly make fresh demands of workplace chairs, which is why we invest so much energy in research. We are extremely proud of our modular seating concepts. Our modular system provides almost unlimited options. All components are screwed on and attached to the chair. This ensures that all chair elements are easy to replace. We are also happy to manufacture customized solutions for you.

1. Backrests

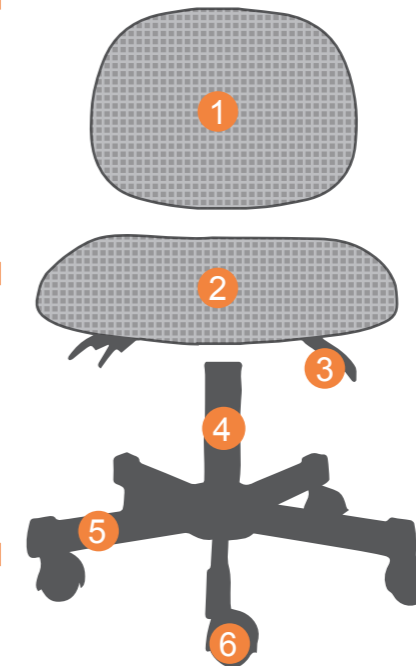
Backrests are available in a number of different designs and sizes. You can choose from PUR integral foam, upholstered, fabric, wood or stainless steel.

2. Seat bases

You can choose from a variety of seat designs and material including PUR integral foam, upholstered, fabric, wood or stainless steel.

3. Seat supports

The premium-quality seat supports along with easy care maintenance and repair. Seat height, seat tilt, seat depth and backrest tilt can be adjusted.



4. Chair columns

Chair columns in different sizes with gas pressure are available in height-available, chrome-plated or power-coated(black) or polished versions.

5. Chair bases

Chair bases made of high quality diecast aluminium come in polished or electroplated versions.

6. Castors

Depending on the field of application, our chairs can be fitted with moveable or fixed castors.

Function of Sigmaforce Industrial Chair-ESD

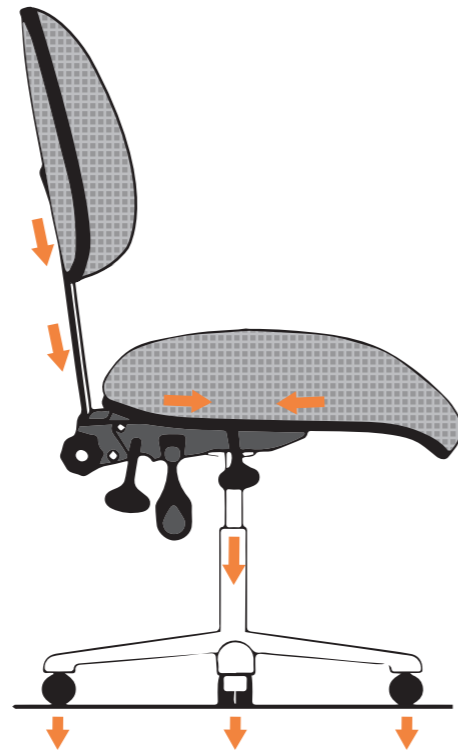
ESD area

Reliable electrostatic discharge protection for electronic workstations.

ESD (Electro Static Discharge) refers to the electrostatic discharge of charged objects or people. Electrostatic discharge can result in damage to microelectronics components. This is because of the minute scale involved which means that the energy from a static discharge has the same impact on a semiconductor as a lightning strike would on a tree.

ESD chairs play a crucial role when it comes to ensuring reliable ESD protective measures for electronic workstations.

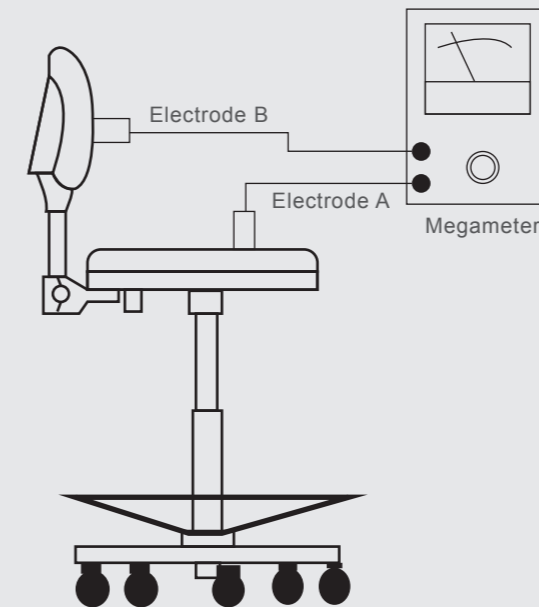
ESD protection is regulated by American National Standard ANSI/ESD STM12.1-2006 which is designed to help users select appropriate protective measures. It stipulates the following in respect of workplace chairs:” The resistance to the point of contact with the floor of any parts of the seat that could come into contact with the user’s body during standard use must be $<10^9 \Omega$ ”



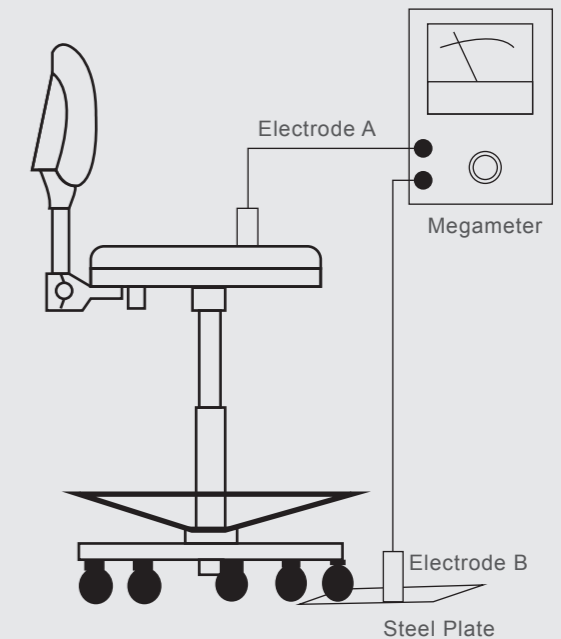
ESD through pass for chair

Test Method

Discharge resistance	Acc. to ANSI/ESD STM12.1-2006	Sigmaforce ESD chairs
Workplace chair	$< 10^9 \Omega$	$< 10^7 \Omega$
Surface resistance	Acc. to ANSI/ESD STM12.1-2006	Sigmaforce ESD chairs
Workplace chair	$10^5 - 10^9 \Omega$	$10^5 - 10^7 \Omega$



(A) Point to point resistance



(B) Point to ground resistance

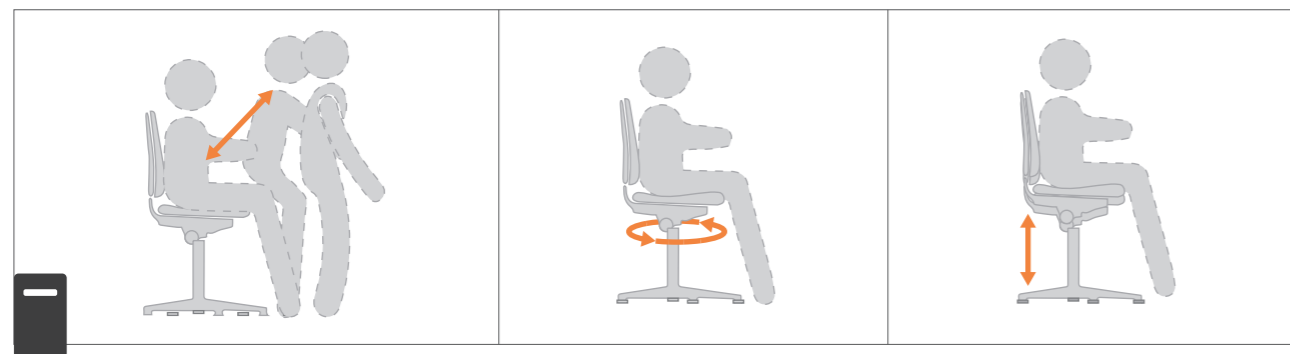
Function Of Sigmaforce Industrial Chair- cleanroom

Cleanrooms are designed to maintain extremely low levels of particulates, such as dust, airborne organisms, or vaporized particles. Cleanrooms typically have an cleanliness level quantified by the number of particles per cubic meter at a predetermined molecule measure. In the healthcare and pharmaceutical sectors, control of microorganisms is important, especially microorganisms likely to be deposited into the air stream from skin shedding. So sigmaforce develops its innovative range of cleanroom chairs for use in extreme conditions.

Sigmaforce cleanroom chairs boast astounding properties and meet the requirements of air cleanliness classification 3 in accordance with DIN EN ISO 14644-1, cleanroom classification 1 as defined by US Federal Standard 209E and the specifications of the EU GMP guidelines.

Sigmaforce	Air cleanliness classification to:			Particle size and permissible number of particles per cubic metre of air acc. to DIN EN ISO 14644-1				
	DIN EN ISO 14644-1	EU GMP guidelines	US-Fed St.209E	≥ 0,1 µm	≥ 0,2 µm	≥ 0,3 µm	≥ 0,5 µm	≥ 1,0 µm
	1	-	-	10	2	-	-	-
	2	-	-	100	24	10	4	-
	3	-	1	1000	237	102	35	8
	4	-	10	10.000	2.370	1.020	352	83
	5	A/B	100	100.000	23.700	10.200	3.520	832
	6	-	1000	1.000.000	237.000	102.000	35.2000	8.320
	7	C	10.000	-	-	-	352.0000	83.200
	8	D	100.000	-	-	-	3.520.000	832.000

Cleanroom Chair Test Method



Function Of Sigmaforce Industrial Chair- cleanroom

Adjust the chair, not the person

Production work makes huge demands on the workplace: people may be using a great deal of energy, they may be precision-working, or making repetitive movements. A workplace chair should not force the user to sit in a constrained position. It must suit its environment perfectly, must be adapted to the work involved, and above all must be adjustable to every person sitting on it. The human body is the measure. A workplace chair must be an equally good fit for anyone and everyone-men and women, small people and large, heavy and light, and young and old-which is why it is essential to have a sufficiently wide range of settings and adjustments.

Important functions for adjustment to individual body size



Seat height adjustment

Seat height adjustment allows adjustment to body size and height of workplace. The ideal seat height is when the knees, hips and elbows form an angle of at least 90°, with the feet resting flat on the floor.

Seat tilt adjustment

Many jobs are carried out in slightly raised positions, and require people to bend forward. A correspondingly tilted seat provides a seat angle of least 90°, while at the same time providing contact with the backrest.

Seat depth adjustment

The seat depth adjustment matches the depth of the seat to the size of the body, giving the best possible contact surface for the thighs. Contact with the backrest, and therefore the support it provides, are maintained.

Polyurethane Chairs



Sigmaforce's polyurethane chairs are popular for environments that demand extreme durability & dependability. Our chair models are built to your exact specifications. It is designed for outstanding comfort and long-lasting use in the toughest workplace environments. These chairs offer total body support with advanced ergonomic features that improve productivity and reduce fatigue.

We designed, built, and tested our chairs for use in critical environments. These chairs offer lasting value for general production areas, electronics, manufacturing, cleanrooms, laboratories, and harsh environments.



Polyurethane Chairs

Product description

- Material: Polyurethane
- Function: Backrest forward and backward adjustment
- Seat height adjustment range: 410-560mm/560-820mm (distance from seat to ground)
- Base: Φ 560-600mm steel pipe stamping forming, electroplating
- Wheels: PA Nylon, Fixed and Moveable optional
- ESD Version: system resistance 10^4 - $10^9\Omega$

Model	Seat Size (w*d)	Back Size (w*d)
FT080321/FH080321	410 x 400mm	360 x 250mm

Product description

- Material: Polyurethane
- Function: Backrest tilt adjustment/backrest up and down adjustment/seat tilt adjustment
- Seat height adjustment range: 400-550mm/560-820mm (distance from seat to ground)
- Base: Φ 550mm/600mm, High-quality cold-rolled steel pipe stamping forming, electroplating
- Wheels: PA Nylon, Fixed and Moveable optional
- ESD Version: system resistance 10^4 - $10^9\Omega$

Model	Seat Size (w*d)	Back Size (w*d)
FT121110/FH121110	460 x 425mm	410 x 310mm

Product description

- Material: Polyurethane
- Function: Backrest forward and backward adjustment
- Seat height adjustment range: 400-540mm (distance from seat to ground)
- Base: Φ 560mm, High quality PA nylon
- Wheels: PA Nylon, Fixed and Moveable optional
- ESD Version: system resistance 10^4 - $10^9\Omega$

Model	Seat Size (w*d)	Back Size (w*d)
FT120360	460 x 425mm	410 x 310mm

Polyurethane Chairs



Product description

- Material: Polyurethane
- Function: Backrest forward and backward adjustment
- Seat height adjustment range: 400-550mm/560-820mm (distance from seat to ground)
- Base: Φ 560mm/600mm, High-quality cold-rolled steel pipe stamping forming, electroplating
- Wheels: PA Nylon, Fixed and Moveable optional
- ESD Version: system resistance 10^4 - $10^9\Omega$

Model	Seat Size (w*d)	Back Size (w*d)
FT140421/FH140421	370 x 370mm	330 x 230mm



Product description

- Material: Polyurethane
- Function: Backrest forward and backward adjustment
- Seat height adjustment range: 400-560mm (distance from seat to ground)
- Base: Φ 560mm, High-quality cold-rolled steel pipe stamping forming, electroplating
- Wheels: PA Nylon, Fixed and Moveable optional
- ESD Version: system resistance 10^4 - $10^9\Omega$

Model	Seat Size (w*d)	Back Size (w*d)
FT160410	Φ 315mm	305 x 130mm

Upholstered Chairs

The chair was built to meet the demands of daily use. It's the perfect combination of comfort, style and affordability. Available in multiple upholstered options, Sigmaforce's chairs offers versatile comfort with contemporary style. Our selections of upholstered chairs feature some of the most durable and ergonomic chair models available for a wide array of workplace environments.

Each chair is configured to your exact specification-choice of tilt, height range, base style, and glides/caster options. Sigmaforce's chairs meet both ESD and designated cleanroom standards.



Upholstered Chairs



Product description

- Material: Vinyl/High elastic sponge / Eucalyptus wood
- Function: Backrest tilt adjustment/backrest up and down adjustment/seat tilt adjustment
- Seat height adjustment range:400-540mm/550-810mm(distance from seat to ground)
- Base:Φ560mm/600mm, High-quality cold-rolled steel pipe stamping forming, electroplating
- Wheels:PA Nylon, Fixed and Moveable optional
- ESD Version: system resistance 10⁴-10⁹Ω

Model	Seat Size (w*d)	Back Size (w*d)
PT010321/PH010321	440 x 400mm	380 x 290mm



Product description

- Material:Vinyl/High elastic sponge / Eucalyptus wood
- Function:Backrest tilt adjustment/backrest up and down adjustment/seat tilt adjustment
- Seat height adjustment range:400-540mm/550-810mm(distance from seat to ground)
- Base:Φ600mm/600mm, High-quality cold-rolled steel pipe stamping forming, electroplating
- Wheels: PA Nylon, Fixed and Moveable optional
- ESD Version: system resistance 10⁴-10⁹Ω

Model	Seat Size (w*d)	Back Size (w*d)
PT041210/PH041210	500 x 460mm	420 x 380mm



Product description

- Material: Vinyl/High elastic sponge / Eucalyptus wood
- Function: Backrest foward and backward adjustment
- Seat height adjustment range:400-540mm(distance from seat to ground)
- Base:Φ550mm, High-quality cold-rolled steel pipe stamping forming, electroplating
- Wheels:PA Nylon, Fixed and Moveable optional
- ESD Version: system resistance 10⁴-10⁹Ω

Model	Seat Size (w*d)	Back Size (w*d)
PT120410	Φ360mm	340 x 160mm

Backless stool

Our backless stools are built for a wide range of applications including general office, medical, laboratory, factory, electronic assembly, cleanroom and so on.

Backless stools are designed to support the tasks required in any environment while increasing comfort, health and productivity. They can also be used instead of chairs when there is a lack of space. The base frames, which are made from die-cast aluminium, are brilliantly polished and are supplied with conductive castor/glides for hard floors. The sturdy steel 5star base and upholstery edge protector that runs all the way round guarantee a long lifespan. The cover also has conductive and non-slip properties.

Most of our stools are available in polyurethane, fabric and vinyl options.



Backless stool



FT825180

Product description

- Material: Polyurethane
- Function: Up and down adjustment
- Seat height adjustment range: 400-540mm/550-810mm (distance from seat to ground)
- Base: Φ 440mm, High-quality cold-rolled steel pipe stamping forming, electroplating
- Wheels: PA Nylon, Fixed and Moveable optional
- ESD Version: system resistance 10^4 - $10^9\Omega$

Model	Seat Size (w*d)
FT825180	Φ 330mm



FH825121

Product description

- Material: Polyurethane
- Function: Up and down adjustment
- Seat height adjustment range: 400-540mm/550-810mm (distance from seat to ground)
- Base: Φ 560mm/600mm, High-quality cold-rolled steel pipe stamping forming, electroplating
- Wheels: PA Nylon, Fixed and Moveable optional
- ESD Version: system resistance 10^4 - $10^9\Omega$

Model	Seat Size (w*d)
FH825121	Φ 330mm



FT515180

Product description

- Material: Polyurethane
- Function: Up and down adjustment
- Seat height adjustment range: 400-540mm/550-810mm (distance from seat to ground)
- Base: Φ 440mm/440mm, High-quality cold-rolled steel pipe stamping forming, electroplating
- Wheels: PA Nylon, Fixed and Moveable optional
- ESD Version: system resistance 10^4 - $10^9\Omega$

Model	Seat Size (w*d)	Back Size (w*d)
FT515180	350 x 320mm	170 x 150mm

Backless stool



FT505180

Product description

- Material: Polyurethane
- Function: Up and down adjustment
- Seat height adjustment range: 400-540mm/550-810mm (distance from seat to ground)
- Base: Φ 440mm/440mm, High-quality cold-rolled steel pipe stamping forming, electroplating
- Wheels: PA Nylon, Fixed and Moveable optional
- ESD Version: system resistance 10^4 - $10^9\Omega$

Model	Seat Size (w*d)	Back Size (w*d)
FT505180	330 x 230mm	170 x 150mm



PT805180

Product description

- Material: Vinyl/High elastic sponge / Eucalyptus wood
- Function: Up and down adjustment
- Seat height adjustment range: 400-540mm/550-810mm (distance from seat to ground)
- Base: Φ 440mm/440mm, High-quality cold-rolled steel pipe stamping forming, electroplating
- Wheels: PA Nylon, Fixed and Moveable optional
- ESD Version: system resistance 10^4 - $10^9\Omega$

Model	Seat Size (w*d)
PT805180	Φ 330mm



BT805101

Product description

- Material: Stainless steel 201
- Function: Up and down adjustment
- Seat height adjustment range: 440-580mm (distance from seat to ground)
- Base: Φ 560mm, High-quality cold-rolled steel pipe stamping forming, electroplating
- Wheels: PA Nylon, Fixed and Moveable optional
- ESD Version: system resistance 10^4 - $10^9\Omega$

Model	Seat Size (w*d)
BT805101	Φ 290mm

Sit-Stand



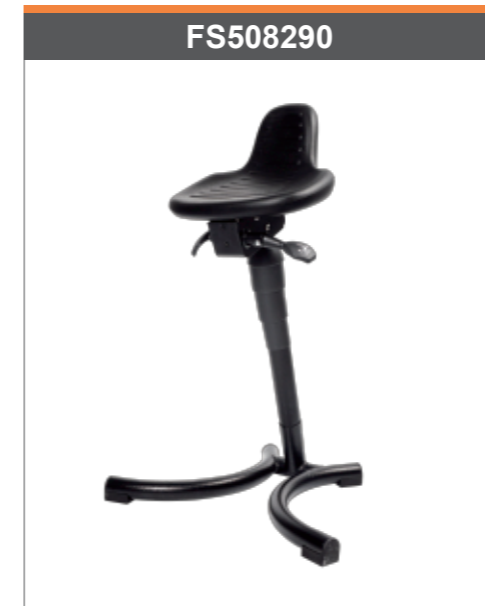
Relief from stress and strain for people who cannot sit down to work.

Sit stands take the weight off legs and the angle of the seat opens hips to improve blood circulation while maintaining the back's natural alignment. Sit Stands provide a sustainable, comfortable working posture similar to standing without the undo stress on the body.

Sit Stands are not intended as a place to sit for extended periods of time, but rather provide an opportunity to experience periods of relief while maintaining high levels of productivity and encouraging a healthy work environment.

Our solutions for standing work give you the perfect support for any activity that cannot be undertaken while sitting down. Our standing rests range from simple supports for short-term stress-relief up to flexible standing rests that allow you to stand for prolonged periods without any signs of fatigue

Sit-Stand

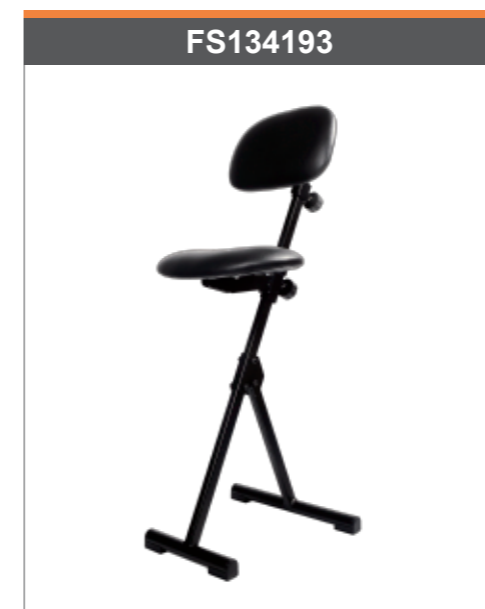


FS508290

Product description

- Material: Vinyl/High elastic sponge / Eucalyptus wood
- Function: Seat forward tilt adjustment/up and down adjustment
- Seat height adjustment range: 620-870mm (distance from seat to ground)
- Base: Φ w600*d460mm / High-quality cold-rolled steel pipe stamping forming, spraying
- Wheels: Fixed
- ESD Version: system resistance 10^4 - $10^9\Omega$

Model	Seat Size (w*d)	Back Size (w*d)
FS508290	330 x 230mm	170 x 150mm



FS134193

Product description

- Material: Vinyl/High elastic sponge / Eucalyptus wood
- Function: Back and seat up and down adjustment by manual
- Seat height adjustment range: 530-830mm (distance from seat to ground)
- Base: Φ w400*d410mm / Tubular steel frame with non-slip floor glides, chromed-plate or power coated in black
- Wheels: Fixed Ottomans, anti-skidding

Model	Seat Size (w*d)	Back Size (w*d)
FS134193	370 x 220mm	320 x 230mm

Sit-Stand

Accessory guide

FS518210



Product description

- Material: Polyurethane
- Function: Seat forward tilt adjustment/seat up and down adjustment
- Seat height adjustment range: 540-770mm (distance from seat to ground)
- Base: Φ470mm, High-quality cold-rolled steel pipe stamping forming, electroplating
- Wheels: PA Nylon, Fixed and Moveable optional
- ESD Version: system resistance 10⁴-10⁹Ω

Model	Seat Size (w*d)	Back Size (w*d)
FS518210	350 x 230mm	170 x 150mm

FS524091



Product description

- Material: Polyurethane
- Function: Seat forward tilt adjustment/up and down adjustment
- Seat height adjustment range: 562-802mm
- Base: Φ580mm /High-quality cold-rolled steel pipe stamping forming, electroplating
- Wheels: Fixed, anti-skidding

Model	Seat Size (w*d)
FS524091	350 x 320mm



CQ140/CQ160
Pneumatic lifting rod



L10
PU electroplating height adjustable armrest



L20
PU powder coated height adjustable armrest



L30
PU plastic cement armrest



E80
Circle shaped chair base
Chair base diameter: 440/560/620mm
Footrest diameter: 320/400/520mm
Footrest height: 100mm



E10-electroplating
Square pipe five star chair base
Square pipe: 20*40mm
Diameter: 470/550/600mm



E52
Aluminium alloy chair base
Diameter: 480/535/640mm



E60
PA Nylon chair base
Diameter: 480/560/600mm



E21
Special shaped pipe chair base
High-quality cold-rolled steel pipe stamping forming, electroplating
Diameter: 460/560/600mm



D10
Flat tube footrest
Steel plate clamping technology
Diameter: 510mm



D40
Circular footrest
Diameter: 350/400/450mm



F33
Conductive fixed wheel
PP+carbon powder



F33-Gray
Conductive fixed wheel (gray)
PP+carbon powder



F11
Aluminium alloy fixed wheel



F22
Conductive castor
PA+carbon wheel



F02
Aluminium alloy wheel



F21
Conductive wheel (gray)
PA+carbon fiber



F30
Conductive fixed wheel
PP+carbon fiber