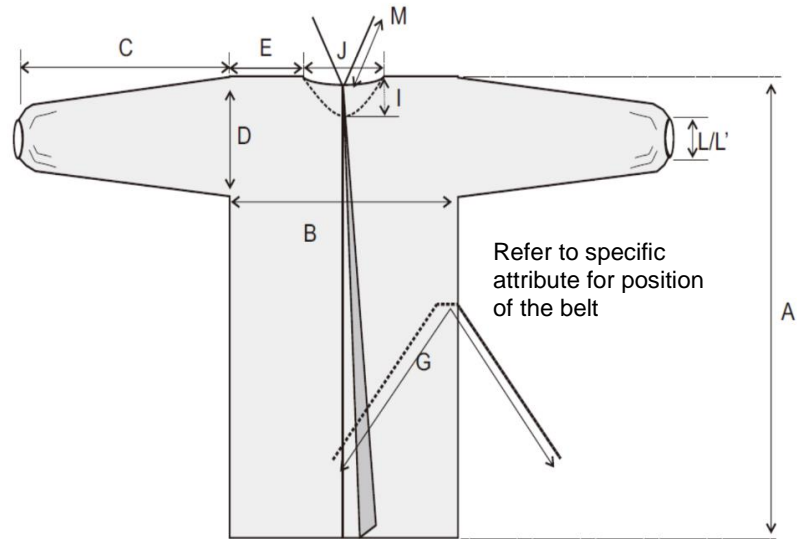


**TECHNICAL DATA SHEET**
**Isolation Gown**
**Intended Use**

Procedure Isolation Gowns designed to protect health professionals and patients from cross contamination. Single use gowns made of polypropylene. Latex-Free

Characteristic		Specification	
Material Composition		Spunbonded Polypropylene	
Description		Gown made of non-woven fabric with full back closure. Features neck ties, string belt and sleeves closed with an elastic.	
Color		Yellow	
		Blue	
Part of Gown		Dimension (cm)	
		Regular	X-Large
A	Gown Length	110	115
	Open Gown Width	142	155
B	Underarm Width	71	77,5
C	Sleeve Length	58	61
D	Shoulder Height	28	32
E	Shoulder Width	23	26
G	Belt Length	180	180
	Belt Position	23 cm under the right arm, sewn over a distance of 6 cm	23 cm under the right arm, sewn over a distance of 6 cm
I	Collar Depth	9	9
J	Collar Width	22	23
M	Neck-Tie Length	35	35
L	Sleeve Cuff Width	8	8
L'	Sleeve Cuff Width (Stretched)	15	15

## Measurement Diagram



## Product Image



## Additional Information

Storage Condition	Country of Origin
Store under ambient temperature and dry condition	China

## Appendix 1 List of Item Codes and Attributes