

Tangshan Prime Plastic Products Sales Co., Ltd.

No.203 Ronghua Building Community Lubei District Tangshan Hebei China

WhatsApp: 86-17736552808 Wechat: 86-17736552808 Mobile: 86-17736552808

<http://tsprime.en.alibaba.com/>

Email: primeplastic@163.com Contact: Niki

Catalog of Blade Remover

The Scalpel Blade Remover enables safe and easy removal of used disposable blades from any size or type of blade handles. It improves safety and hygiene by eliminating direct contact with blades and facilitates replacement. Use either of these polypropylene products to quickly and safely remove the used blade from the handle.

-Simple: 1-2-3 operating ease.

-Safe & hygienic: no direct contact with blades for maximum protection of staff against infection.

-Disposable: when this economical remover becomes full of used blades, just discard it.

-Each holds 100 blades

Features:

-HS code 3926909090

-about 79.3mm long*33mm width*58mm height (blade remover)

-about 17mm*5.2mm (blade insert slot)

-net weight about 0.023kgs

-made of PP

-yellow, blue (customized)

-non-sterile

-12 piece/bag

We guarantee the materials to be offered 100% virgin. Therefore, there will not be any unpleasant smell.



Tangshan Prime Plastic Products Sales Co., Ltd.

No.203 Ronghua Building Community Lubei District Tangshan Hebei China

WhatsApp: 86-17736552808 Wechat: 86-17736552808 Mobile: 86-17736552808

<http://tsprime.en.alibaba.com/>

Email: primeplastic@163.com Contact: Niki

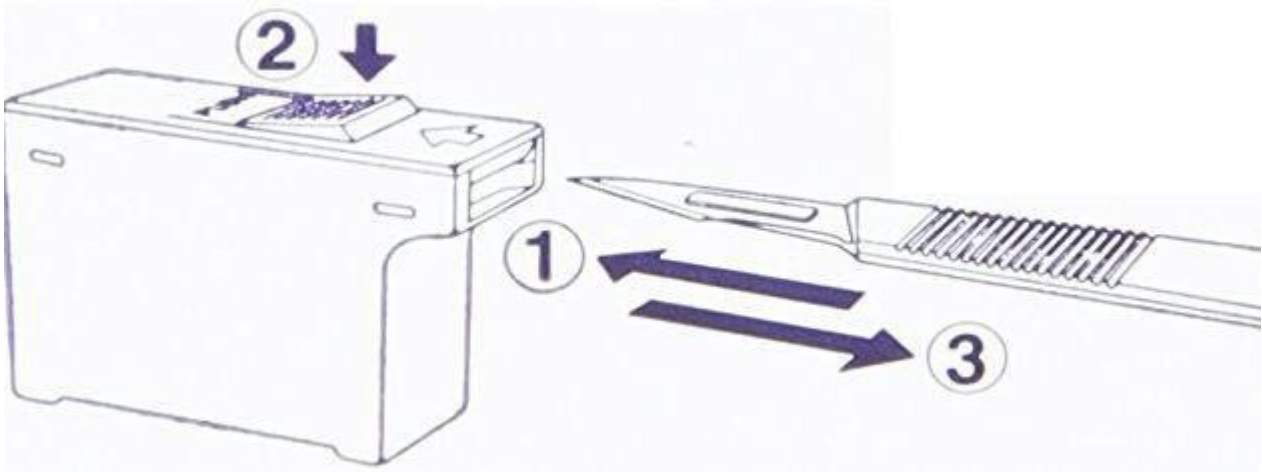
How to use:

Position the remover body upright with its insertion opening upward. (See the diagram.)

- 1) Orient the blade up and insert the handle into the remover until it stops.
- 2) Keep pushing the button of the remover until the blade is removed.
- 3) Pull the handle horizontally to remove the blade.

-This device is for medical use. Use care when handling blades.

-Hold blade remover straight up and never at an angle.



Base on desktop



Base on wall

